

DUTCH FLOATING CROP LIFTER

INSTRUCTION SHEET

Step 1 – Ensure all of your parts are in the box – See Figure 1

Step 2 – Attach the bushing to your guard. The Bushing can be installed two ways depending on what type of guard you have. The correct position of the bushing is when the flat part of the lifter with the 2 slotted holes in it is parallel to the bottom of your guard. (Bolts not supplied)

Step 3 – Loosely attach the Guard holder to the Crop Lifter Body, with the Carriage Bolts supplied. There are 2 types of guard holders supplied. Use the guard holder that best fits the guard on your header.

Step 4 – Slide the Lifter onto the Bushing.

Step 5 – Slide the Guard Holder onto the guard, and tighten the 2 carriage bolts.

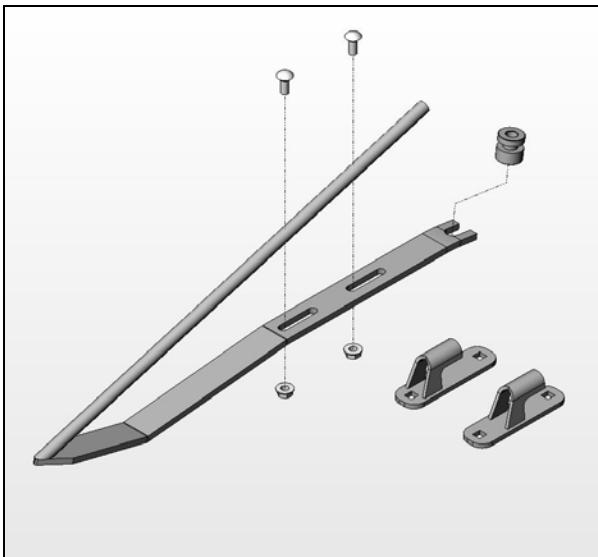


Figure 1

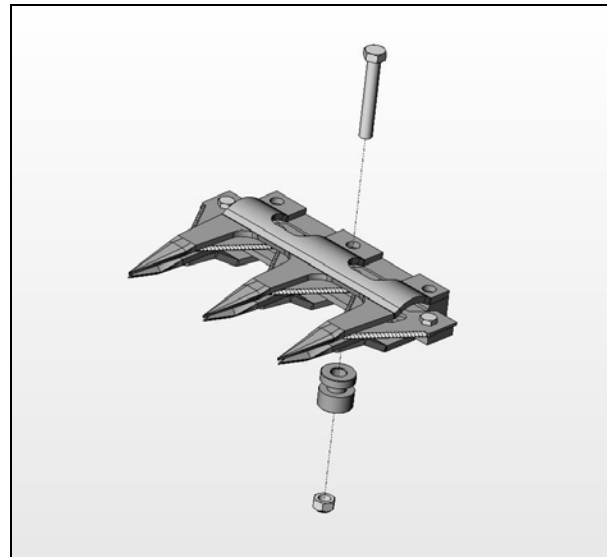


Figure 2



Figure 3

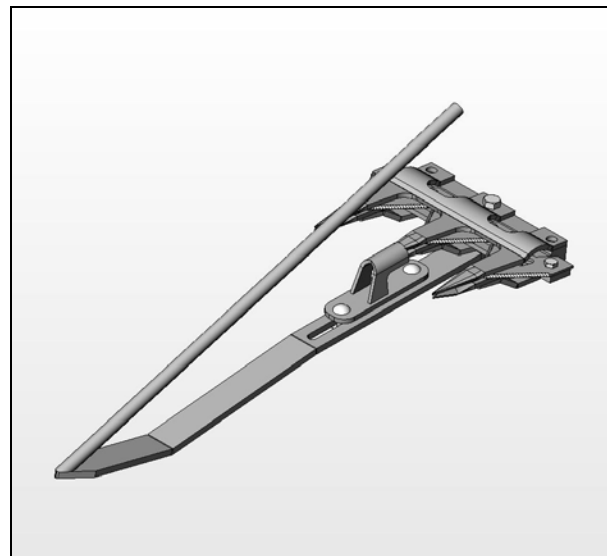


Figure 4