



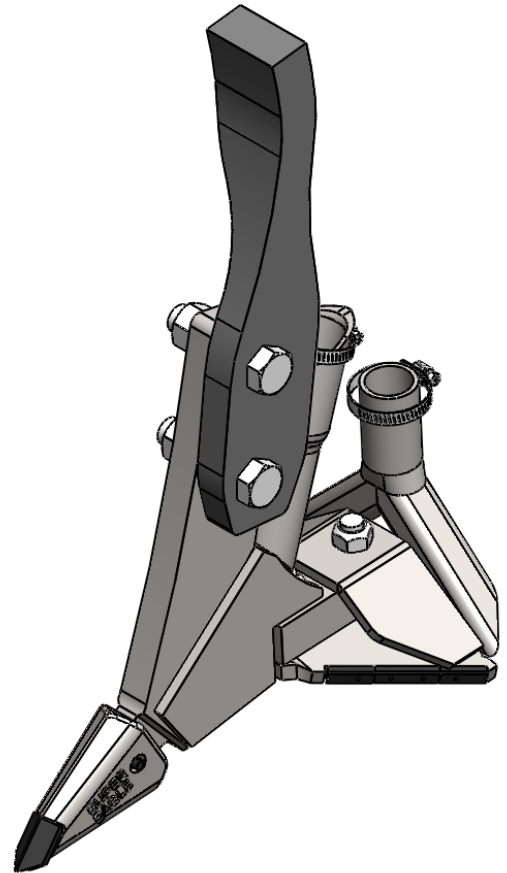
Precision Series

Horsch Anderson 84° Edge-On Shank Installation Sheet

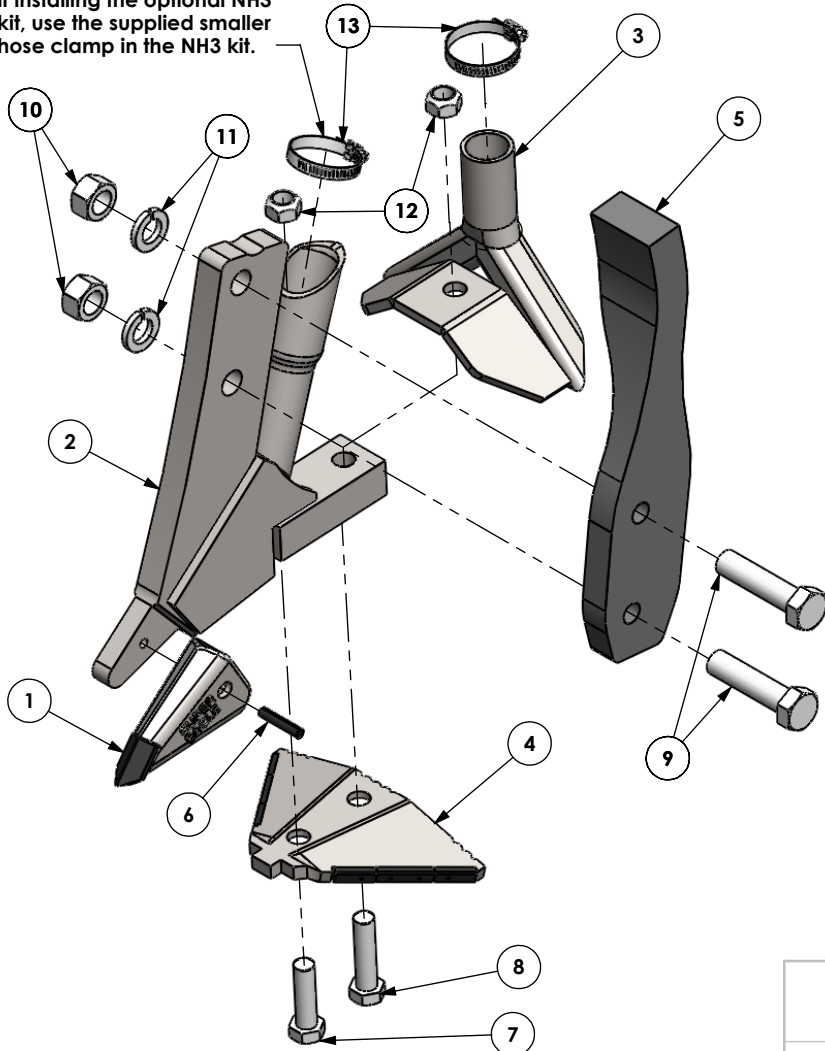
PR-4

INSTALLATION

- Refer to the diagram below to see the install locations of the tip, fertilizer tube, sealer plate and other hardware.
- If the optional anhydrous ammonia kit is being installed, the bottom tip of the anhydrous tube must sit 1/4" below the bottom of the opener.
- To make installation quicker and easier, assemble the entire opener before installing on the shank. Install the tip as per its orientation on the diagram and with the writing upright.
- Use an impact if possible to tighten the shank bolts during the initial install and torque them to 120 ft-lb. After 4 hours of use it is recommended that you ensure all bolts are still tight and re-torque to 120 ft-lb. This should prepare you for the season.



If installing the optional NH3 kit, use the supplied smaller hose clamp in the NH3 kit.



ADDITIONAL INFORMATION

- For more information contact Dutch Industries directly at (800)-663-8824.

DISCLAIMER

This information is made available to the public by Dutch Industries solely as a guide for the installation of openers. Dutch Industries Ltd. assumes no legal liability or responsibility for the accuracy, completeness, or usefulness of any information contained in this document and as a result holds no legal liability or responsibility for damages or losses resulting from the use of this information. Dutch Industries reserves the right to change and improve its products as seen fit. This information describes the condition of this product at the time of its printing and may not reflect the product at all times in the future.

13	2	HC114	#20 Hose Clamp
12	2	CN12PL	CLEAVE NUT, 1/2
11	2	LW58PL	LOCK WASHER, 5/8, PLATED
10	2	HN58PLC5	HEX NUT, 5/8
9	2	HH58212PLC8	HEX BOLT, 5/8 x 2 1/2
8	2	HH122PLC5	HEX BOLT, 1/2 x 2
7	2	HH12134PLC5	HEX BOLT, 1/2 x 1 3/4
6	1	RP14114	ROLL PIN
5	1		Edge-On Shank
4	1		Sealer Plate
3	1		Seed Tube
2	1		Precision Body
1	1		Precision Tip
ITEM	QTY	PART NO.	DESCRIPTION

THIS DRAWING IS THE PROPERTY OF:
DUTCH INDUSTRIES LIMITED
 ALL RIGHTS RESERVED

DRAWN BY: JMD	DATE CREATED: OCT 19/09
SCALE: 1:5	