



Wart Series

CNH Precision Edge-On Shank Installation Sheet

WT-3

INSTALLATION

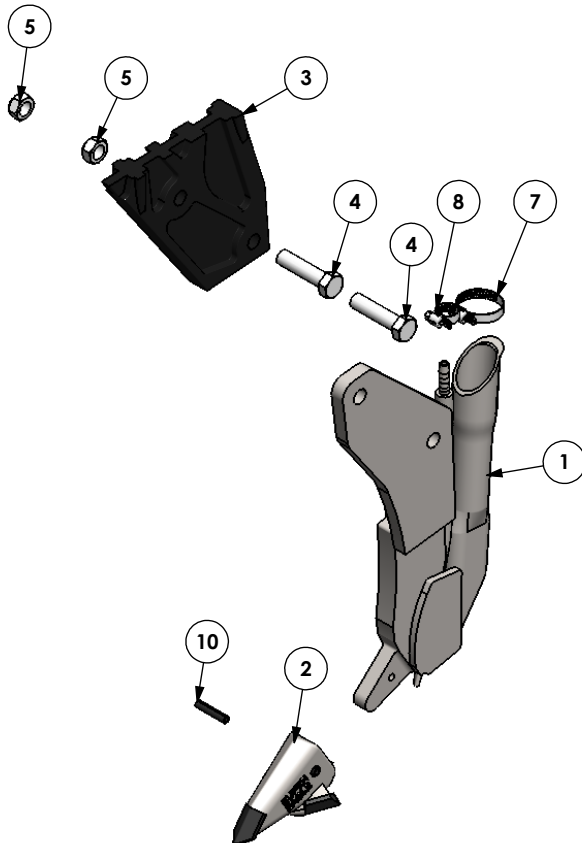
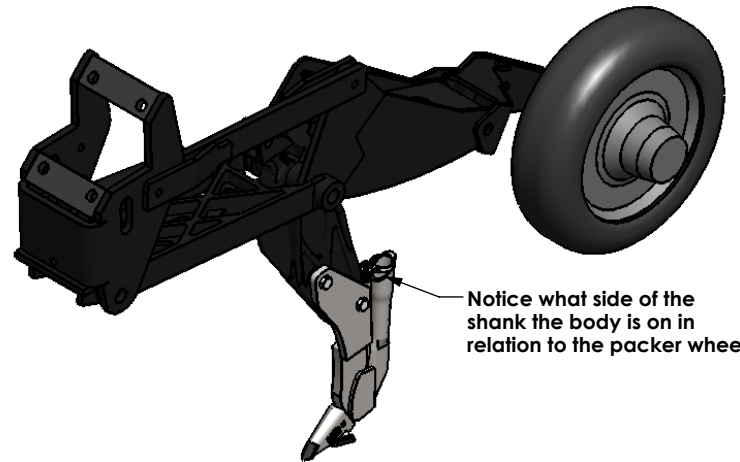
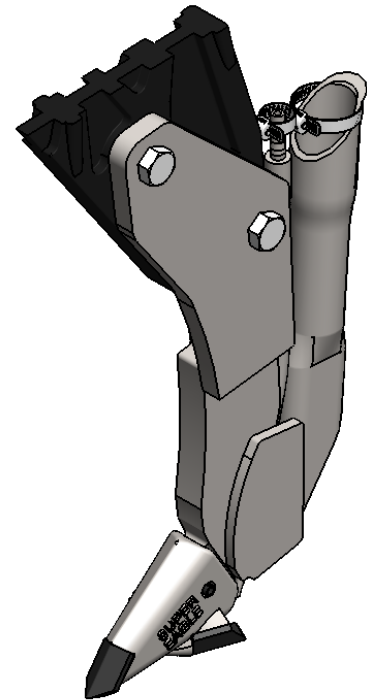
- Refer to the diagram below to see the install locations of the tip and other hardware.
- Install the tip as per its orientation on the diagram and with the writing upright.
- During the initial install, torque the shank bolts to 120 ft-lb. After 4 hours of use it is recommended that you ensure all bolts are still tight and re-torque to 120 ft-lb. This should prepare you for the season.
- Dutch lock nuts have been provided which have a stainless steel insert as opposed to the synthetic insert found in common lock nuts. This will help keep your hardware in place through any condition longer and better than a standard lock nut.

** HELPFUL HINT **

- It is recommended to assemble the tip onto the body before installing on the shank. This will make assembly quicker and easier.

ADDITIONAL INFORMATION

- For more information contact Dutch Industries directly at (800)-663-8824.



DISCLAIMER

This information is made available to the public by Dutch Industries solely as a guide for the installation of openers. Dutch Industries Ltd. assumes no legal liability or responsibility for the accuracy, completeness, or usefulness of any information contained in this document and as a result holds no legal liability or responsibility for damages or losses resulting from the use of this information. Dutch Industries reserves the right to change and improve its products as seen fit. This information describes the condition of this product at the time of its printing and may not reflect the product at all times in the future.

| ITEM | Default/QTY. | PART NO. | DESCRIPTION |
|------|--------------|---------------------------|---------------------------------|
| 10 | 1 | RP14114 | ROLL PIN |
| 8 | 1 | HC34 | #12 Hose Clamp |
| 7 | 1 | HC16 | #16 Hose Clamp |
| 5 | 2 | CN12PL | CLEAVE NUT, 1/2 |
| 4 | 2 | HH122PLC5 | HEX BOLT, 1/2 x 2 |
| 3 | 1 | CNH Precision Shank - 001 | -- |
| 2 | 1 | 1939 | Tip - Super Eagle Wart Carbided |
| 1 | 1 | 4030 | CNH Wart Body - Left |

THIS DRAWING IS THE PROPERTY OF:
DUTCH INDUSTRIES LIMITED
 ALL RIGHTS RESERVED

DRAWN BY: BC DATE CREATED: JAN 04/2011

SCALE: 1:6